

Single phase automatic voltage stabilizers



Single phase automatic voltage stabilizers consist of a buck-boost transformer and motor driven variable autotransformer with individual phase regulation.

Torytrans voltage stabilizers provide a fast speed response time against voltage fluctuations and variation of power consumed by load. In this way, our stabilizers avoid malfunctioning and failures of equipment and installations caused by these voltage fluctuations.

Output voltage display and switch circuit breaker ON/OFF at the front panel.

No harmonic distortion and protected against short circuits and overloads.

Series SNA includes line conditioner transformer with galvanic insulation and electrostatic shield, providing a stable output voltage and attenuation and filtering of electromagnetic disturbances.

Applications:

- Data centers, processing and computer rooms.
- Transmissions, telecommunications and radio.
- Hospitals and medical centers.
- Lifts, escalators, offices, hotels and shops.
- Motors, industrial machines, lasers and robots.
- Any electronic or electric equipment sensitive to voltage variations.

Technical characteristics

Power rating	1 ÷ 60 kVA
Input voltage	230 V
Input margin	±15%
Output voltage	230 V
Output accuracy	±1%
Response time	≈ 20 V/s
Frequency	50/60 Hz
Ambient temperature	30 °C
Protection degree	IP-23
Service	Continuous
Harmonic distortion	Nil
Load-break switch	ON/OFF

Standard IEC/UNE-EN 61439-1



Power rating ≤ 25 kVA:
IEC /UNE-EN 61558-1

Power rating > 25 kVA:
IEC /UNE-EN 60076-11

OPTIONAL:

- Enclosure for high protection degree (IP54).
- External Bypass switch.
- Additional power meter and monitoring.
- Protection against transitory surges.
- Wall mounting design.

*Customized stabilizer and features on request.

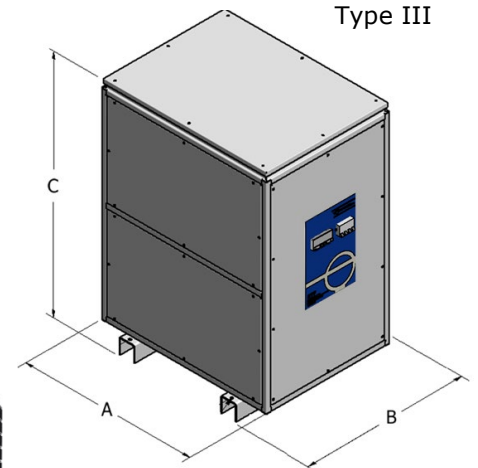
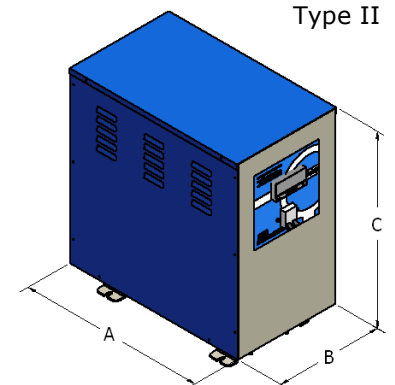
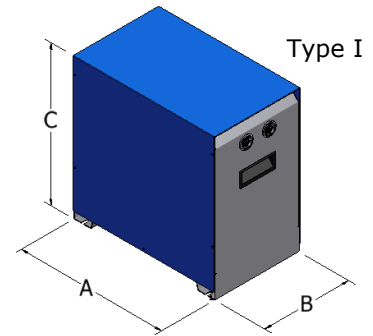
Series SN

Single phase

Rating kVA	Ref.	Dimensions mm			Weight kg	Type
		A	B	C		
1	SN01	370	225	375	15	I
2	SN02	370	225	375	20	I
3	SN03	450	270	492	25	II
5	SN05	450	270	492	33	II
7,5	SN07	450	270	492	38	II
10	SN10	520	310	588	55	II
15	SN15	520	310	588	76	II
20	SN20	750	450	915	80	II
25	SN25	750	450	915	122	II
30	SN30	750	450	915	127	II
40	SN40	930	640	1255	148	II
50	SN50	930	640	1255	175	II
60	SN60	1070	880	1460	212	III

For general use, select power rating according to the load and power factor:

$$kVA = kW / \cos \phi$$

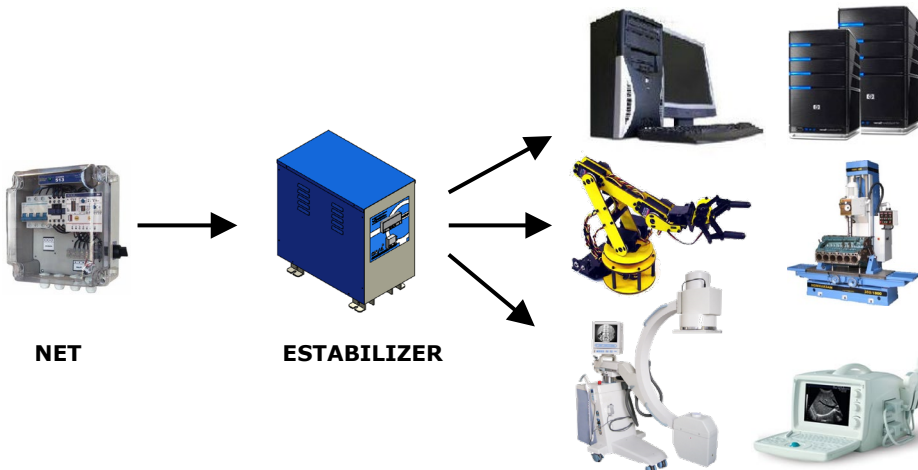


Series SNA

Single phase
Line conditioner

Rating kVA	Ref.	Dimensions mm			Weight kg	Type
		A	B	C		
1	SNA01	450	260	430	22	I
2	SNA02	450	260	430	35	I
3	SNA03	520	300	525	59	II
5	SNA05	520	300	525	82	II
7,5	SNA07	590	340	600	92	II
10	SNA10	750	440	850	130	II
15	SNA15	930	710	1275	175	III
20	SNA20	930	710	1275	209	III
25	SNA25	1070	880	1460	262	III
30	SNA30	1070	880	1460	302	III
40	SNA40	1070	880	1460	348	III
50	SNA50	1070	880	1460	425	III
60	SNA60	1280	1080	1520	502	III

* Other features, power, voltage, etc., on request
* Torytrans reserves the right to modify the information in any time and without prior notice.



OUTPUT
LOAD