



Three phase reversible autotransformer.

Intended for voltage adaptation in three phase systems and single phase loads with a maximum unbalance of 10% between phases.

Without galvanic isolation between primary and secondary; so they do not avoid earth faults.

Mounting into metal enclosure, protection degree of IP-23, coated with a resin polyester-epoxy powder with excellent physical-mechanical and anti-corrosive properties. Type II enclosure includes wheels.

Connection with terminal blocks (rating from 3 to 40 kVA).

Connection with screws for flat terminals (rating from 50 to 125 kVA).

Connection with flat busbars (rating from 160 to 1000 kVA).



Technical Characteristics

Power rating	3 ÷ 1000 kVA
Input voltage	3 x 400 V
Output voltage	3 x 230 V
Vector group	YN0
Frequency	50/60 Hz
Ambient temp	30 °C
Insulation class	F (155 °C) up to ATC315
	H (180 °C) from ATC400

Protection degree IP-23

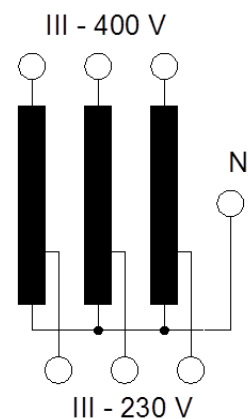
Safety class Class I 

Test voltage 3 kV

Standard   Power rating ≤ 20 kVA:
IEC/UNE-EN 61558-1
IEC/UNE-EN 61558-2-13

Power rating > 20 kVA:
IEC/UNE-EN 60076-11

Electrical diagram



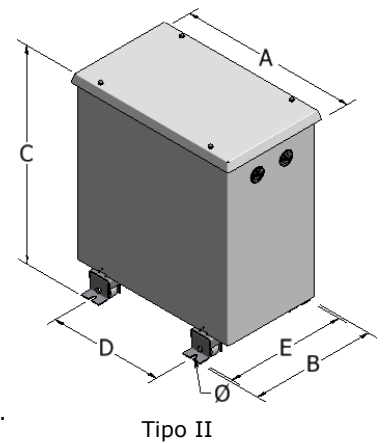
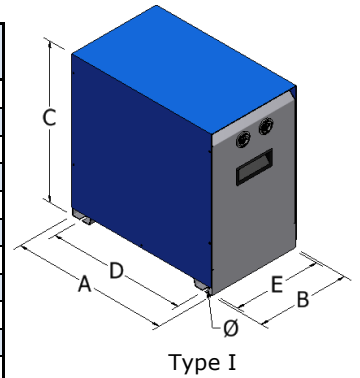
- For general use, select the power according to the load and power factor:

$$kW = \sqrt{3} \times V \times I / 1000$$

$$kVA = kW / \text{Cos } \varphi$$

- For loads with high inrush current or harmonics, consult "Rating selection guide" at the end of catalogue.

Rating kVA	Reference	Dimensions mm						Weight kg	Type
		A	B	C	D	E	Ø		
3	ATC003	300	185	305	265	165	7	16	I
4	ATC004	300	185	305	265	165	7	18	I
6	ATC006	300	185	305	265	165	7	25	I
8	ATC008	370	225	375	325	205	7	32	I
10	ATC010	370	225	375	325	205	7	36	I
12	ATC012	370	225	375	325	205	7	47	I
16	ATC016	475	345	520	320	320	10	59	II
20	ATC020	475	345	520	320	320	10	70	II
25	ATC025	545	385	615	350	360	10	86	II
31	ATC031	545	385	615	350	360	10	95	II
40	ATC040	545	385	615	350	360	10	112	II
50	ATC050	615	425	690	400	400	10	127	II
63	ATC063	615	425	690	400	400	10	156	II
80	ATC080	775	575	940	400	550	10	213	II
100	ATC100	775	575	940	400	550	10	246	II
125	ATC125	775	575	940	400	550	10	293	II
160	ATC160	775	575	940	400	550	10	277	II
200	ATC200	775	575	940	400	550	10	341	II
250	ATC250	930	710	1275	480	670	16	470	III
315	ATC315	930	710	1275	480	670	16	637	III
400	ATC400	930	710	1275	480	670	16	732	III
500	ATC500	930	710	1275	480	670	16	823	III
630	ATC630	1070	880	1460	660	840	16	1049	IV
800	ATC800	1070	880	1460	660	840	16	1244	IV
1000	ATC1000	1070	880	1460	660	840	16	1443	IV



* Other features, power, voltage, etc., on request.

* Torytrans reserves the right to modify the information in any time and without prior notice.

