

Single phase isolation transformers



Galvanic isolation between primary and secondary and effective attenuation of electromagnetic disturbances.

Series CN: open transformer IP-00, vacuum impregnation with dielectric varnish high binding power with special properties that protect windings and magnetic core against dust and humidity.


Series CNB: in metal enclosure IP-23 protection degree, resin polyester-epoxy powder coated with excellent physical-mechanical and anti-corrosive properties. Type II enclosure includes wheels.

Connection with terminal blocks (rating from 6 to 31 kVA).

Connection with flat busbars (rating from 40 to 60 kVA).

Low losses magnetic cores.

Technical characteristics

Power rating	3,15 ÷ 60 kVA
Input voltage	230 V
Output voltage	230 V
Frequency	50/60 Hz
Ambient temperature	40 °C (Series CN) 30 °C (Series CNB)
Insulation class	F (155 °C)
Protection degree	IP-00 (Series CN) IP-23 (Series CNB)
Safety class	Class I 
Test voltage	3 kV

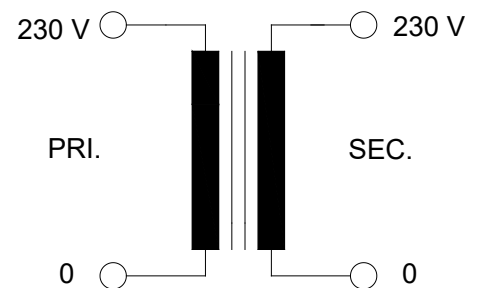
Standard



Power rating ≤ 25 kVA:
IEC/UNE-EN 61558-1
IEC/UNE-EN 61558-2-4

Power rating > 25 kVA:
IEC/UNE-EN 60076-11

Electrical diagram



- For general use, select the power according to the load and power factor:

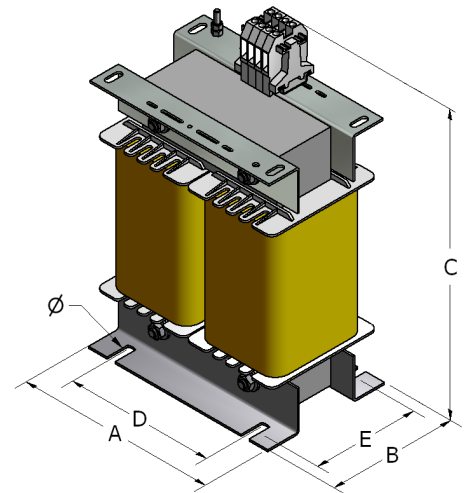
$$kW = V \times I / 1000$$

$$kVA = kW / \text{Cos } \varphi$$

- For loads with high inrush current or harmonics, consult "Rating selection guide" at the end of catalogue.

Series CN IP-00

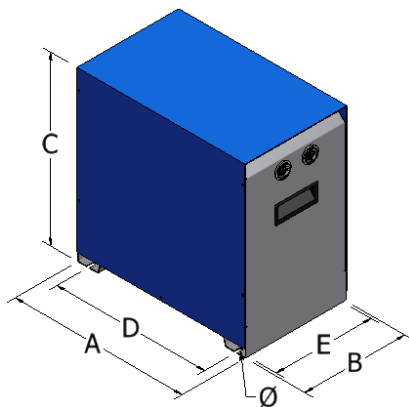
Rating kVA	Reference	Dimensions mm						Weight kg
		A	B	C	D	E	Ø	
3,15	CN03	200	215	340	150	130	9	24
4	CN04	240	210	380	205	120	11	31
5	CN05	240	220	380	205	130	11	35
6	CN06	240	230	380	205	140	11	40
8	CN08	280	230	440	225	140	11	50
10	CN10	320	265	490	265	175	11	78
12	CN12	320	265	490	265	175	11	81
16	CN16	320	255	575	265	165	11	91
20	CN20	320	275	575	265	185	11	105
25	CN25	420	370	605	300	230	11	126
31	CN31	420	390	605	300	250	11	149
40	CN40	420	380	705	300	240	11	173
50	CN50	420	400	705	300	260	11	201
60	CN60	420	400	805	300	260	11	252



* Other features, power, voltage, etc., on request.

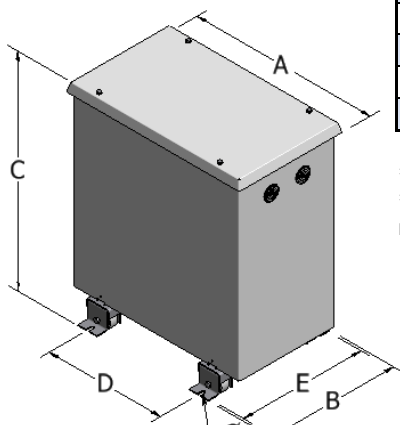
* Torytrans reserves the right to modify the information in any time and without prior notice.

Series CNB IP-23



Type I

Rating kVA	Reference	Dimensions mm						Weight kg	Type
		A	B	C	D	E	Ø		
3,15	CNB03	370	225	375	325	205	7	32	I
4	CNB04	475	345	520	320	320	10	44	II
5	CNB05	475	345	520	320	320	10	48	II
6	CNB06	475	345	520	320	320	10	53	II
8	CNB08	545	385	615	350	360	10	66	II
10	CNB10	615	425	690	400	400	10	98	II
12	CNB12	615	425	690	400	400	10	101	II
16	CNB16	615	425	690	400	400	10	111	II
20	CNB20	615	425	690	400	400	10	125	II
25	CNB25	775	575	940	400	550	10	161	II
31	CNB31	775	575	940	400	550	10	184	II
40	CNB40	775	575	940	400	550	10	208	II
50	CNB50	775	575	940	400	550	10	236	II
60	CNB60	775	575	940	400	550	10	287	II



Type II

* Other features, power, voltage, etc., on request

* Torytrans reserves the right to modify the information in any time and without prior notice.