

Rectifier AC / DC for voltage and current control



Controlled rectifier for voltage and current designed to be used as a power source in electrochemical processes for surface treatment, chrome, galvanic baths, electrolysis and water purification processes by electrocoagulation.

Fast response and high stability against load variations.

It allows constant control of the output voltage (voltage source mode) or constant control of the output current (current source mode).

Control board to trigger the thyristors (SCR) with adjustable input for 0-10 Volt, 4-20 mA, all / nothing.

General magnetothermic cutting load switch incorporated. Thermal protection against overload.

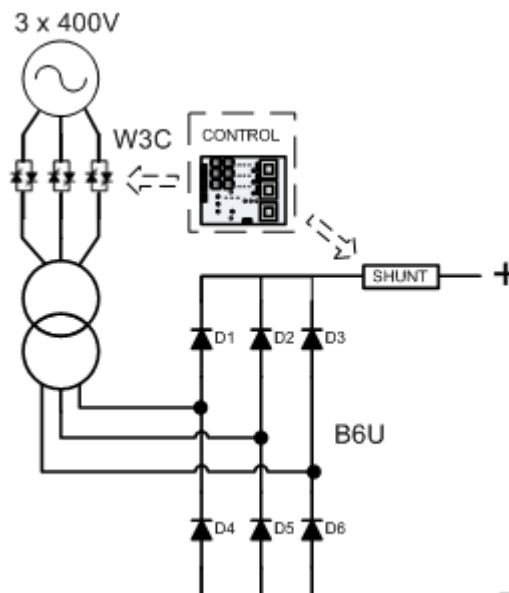
The galvanic isolation transformer provides a high degree of system reliability against electromagnetic disturbances and avoid the risk of accidental electrocution by direct contact.

Technical characteristics

Output voltage	0 ÷ 50 Vdc
Output current	100 ÷ 5000 Adc
Input voltage	3 x 400V
Frequency	50/60 Hz
Ambient temperature	40 °C
Protection degree	IP-23
Cooling	Air Forced
Connection	Busbars
Rectifier	Diode bridge B6U
Regulation	Thyristors W3C
Galvanic insulation	6-pulse Transformer
Control	SCR firing board
Standard	IEC/UNE-EN 61439-1 IEC/UNE-EN 61558-1 IEC/UNE-EN 60076-11



Electrical diagram

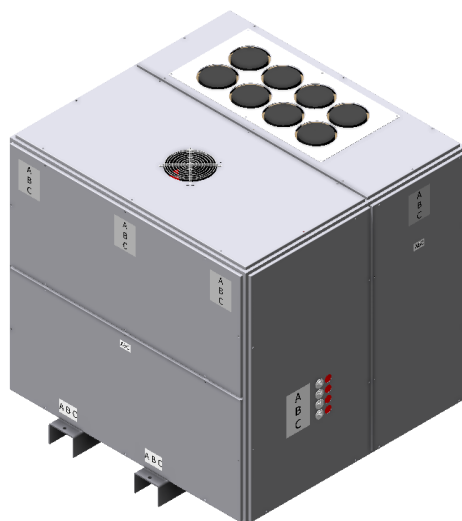




The power of the equipment is selected according to the voltage and current required by the electrochemical process

** Optional: automatic polarity reversal. Other ratings and voltages on request.*

Power cabinet



Control cabinet

