

Single phase swimming-pool LED transformers IP-20



Single phase safety and isolating transformer with galvanic isolation between primary and secondary for swimming pool led lights, garden spotlights, saunas and illuminated fountains.

Ensure the necessary led focus voltage, with margins that ensure the internal operation of all components, preserving the life of the lamp and optimal lighting.

Maximum security against electrical shocks, all live parts are protected and not accessible.

Compact and modular design, therefore reduced dimensions than a conventional one, providing a space-saving installation into electrical cabinets mounting.

DIN Rail mounting or screw fixing.

Enclosure is a V-0 technical polyamide; free of halogens and phosphorus.

Connections by screws with self-lifting supporting washers.

Transparent cover to protect the terminal connections intended to avoid the risk of electrical contact accident.

Technical characteristics

Power rating 30 ÷ 120 VA

Input voltage 230 V

Output voltage 12 V

Frequency 50/60 Hz

Ambient temperature 40 °C

Insulation class F (155 °C)

Protection degree IP-20

Safety class Class II 

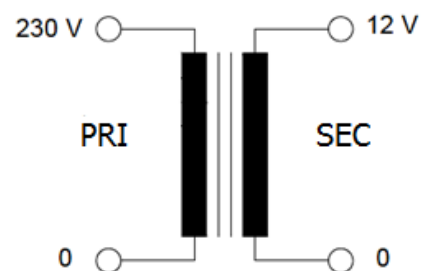
Test voltage 4 kV

Standard IEC/UNE-EN 61558-1



IEC/UNE-EN 61558-2-6

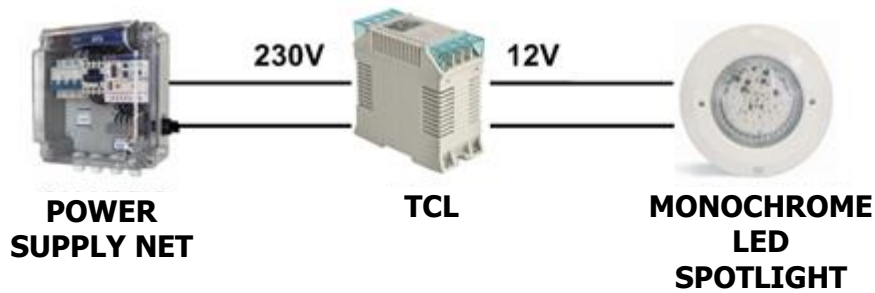
Electrical diagram



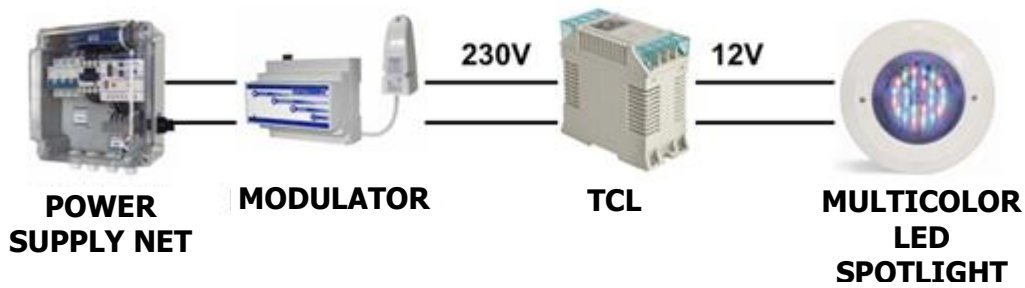
LED Spotlights Monochrome & Multicolor



Connection diagram: Monochrome LED Light.



Connection diagram: Multicolor LED Light.

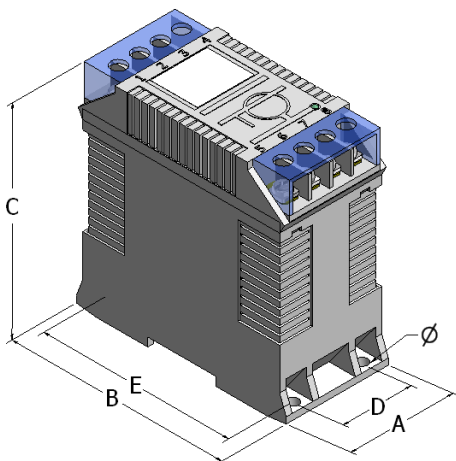


Series TCL

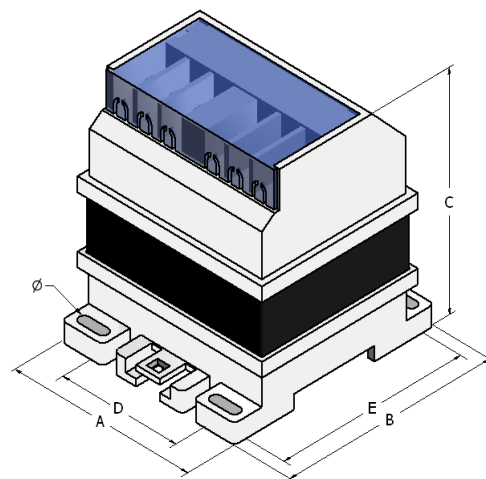
Rating VA	Reference	LED Spotlight		Dimensions mm						Weight kg	Type
		Max. Power	Power Factor	A	B	C	D	E	Ø		
30	TCL30	18 W	0,6	54	112	112	37	100	6	0,8	I
50	TCL50	30 W	0,6	54	112	112	37	100	6	1,1	I
75	TCL75	45 W	0,6	82	90	92	58	79	5,5	1,6	II
120	TCL120	70 W	0,6	94	106	107	58	90	7	2,2	II

* Other features, power, voltage, etc., on request.

* Torytrans reserves the right to modify the information in any time and without prior notice.



Type I



Type II