

Three phase to single phase transformers



Three phase to single phase isolation transformer to convert three phase power to single phase. It allows to supply single phase equipments (230 V) in three phase installations without neutral (3 x 400 V).

Minimizes the unbalance in electrical three phase power supply caused by high-power single phase loads.


Series TTMS: open transformer IP-00, vacuum impregnation with dielectric varnish high binding power with special properties that protect windings and magnetic core from dust and humidity.

Series TTMC: in metal enclosure IP-23 protection degree, resin polyester-epoxy powder coated with excellent physical-mechanical and anti-corrosive properties. Type II enclosures includes wheels.

Connection with terminal blocks (rating from 1 to 20 kVA).

Connection with screws for flat terminals (rating from 25 to 100 kVA).

Technical characteristics

Power rating	1 ÷ 100 kVA
Input voltage	3 x 400 V (Three phase)
Output voltage	230 V (Single phase)
Vector group	V - Λ inverted
Frequency	50/60 Hz
Ambient temp.	40 °C (Series TTMS) 30 °C (Series TTMC)
Insulation class	F (155 °C)
Protection degree	IP-00 (Series TTMS) IP-23 (Series TTMC)
Safety class	Class I 
Test voltage	4 kV

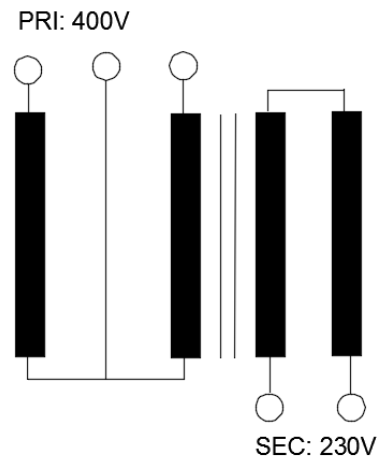
Standard



Power rating \leq 25 kVA:
IEC/UNE-EN 61558-1

Power rating $>$ 25 kVA:
IEC/UNE-EN 60076-11

Electrical diagram

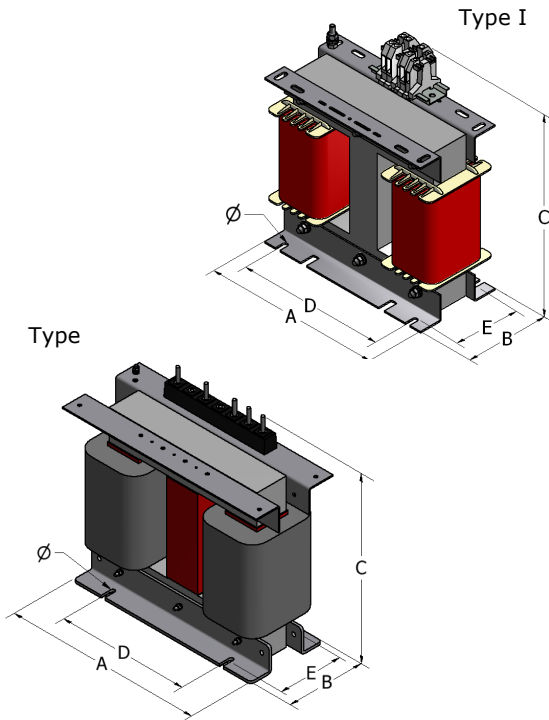


- For general use, select the power according to the load and power factor:

$$kVA = kW / \cos \varphi$$

$$kVA = V \times I / 1000$$

- For loads with high inrush current or harmonics, consult "Rating selection guide" at the end of catalogue.

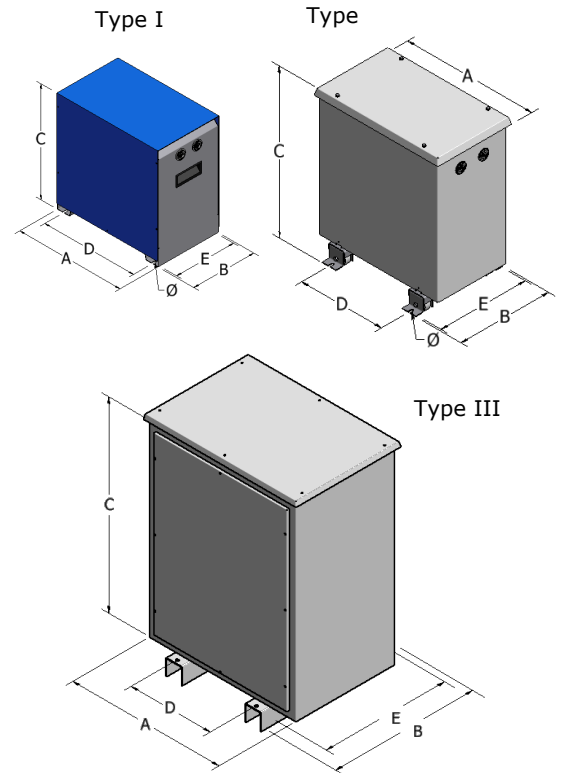


Series TTMS IP-00

Rating kVA	Reference	Dimensions mm						Weight kg	Type
		A	B	C	D	E	Ø		
1	TTMS001	240	140	270	200	118	7	20	I
2	TTMS002	300	130	325	200	105	7	27	I
3	TTMS003	300	170	325	200	145	7	42	I
4	TTMS004	360	155	380	320	130	11	49	I
5	TTMS005	360	165	380	320	140	11	56	I
6	TTMS006	360	185	380	320	160	11	68	I
8	TTMS008	420	195	435	350	170	11	90	I
10	TTMS010	420	215	435	350	190	11	107	I
12	TTMS012	480	190	500	400	165	11	113	I
16	TTMS016	480	240	500	400	215	11	160	I
20	TTMS020	655	260	595	400	195	13	198	I
25	TTMS025	655	270	595	400	205	13	222	II
31	TTMS031	655	290	595	400	225	13	256	II
40	TTMS040	655	320	795	400	255	13	309	II
50	TTMS050	655	280	795	400	215	13	340	II
63	TTMS063	655	320	795	400	255	13	418	II
80	TTMS080	660	350	860	480	275	13	540	II
100	TTMS100	720	350	875	480	270	13	610	II

Series TTMC IP-23

Rating kVA	Reference	Dimensions mm						Weight kg	Type
		A	B	C	D	E	Ø		
1	TTMC001	300	185	305	265	165	7	25	I
2	TTMC002	370	225	375	325	205	7	33	I
3	TTMC003	370	225	375	325	205	7	50	I
4	TTMC004	475	345	520	320	320	10	62	II
5	TTMC005	475	345	520	320	320	10	70	II
6	TTMC006	475	345	520	320	320	10	82	II
8	TTMC008	545	385	615	350	360	10	106	II
10	TTMC010	545	385	615	350	360	10	125	II
12	TTMC012	615	425	690	400	400	10	135	II
16	TTMC016	775	575	940	400	550	10	195	II
20	TTMC020	775	575	940	400	550	10	255	II
25	TTMC025	775	575	940	400	550	10	280	II
31	TTMC031	775	575	940	400	550	10	315	II
40	TTMC040	775	575	940	400	550	10	368	II
50	TTMC050	775	575	940	400	550	10	340	II
63	TTMC063	775	575	940	400	550	10	400	II
80	TTMC080	930	710	1275	480	670	16	625	III
100	TTMC100	930	710	1275	480	670	16	695	III



* Other features, power, voltage, etc., on request.

* Torytrans reserves the right to modify the information in any time and without prior notice.