



Three phase isolating transformer with galvanic isolation between primary and secondary.


For general use as isolating transformer and isolation of circuits, it eliminates the risk of electrical shock in case of unipolar human contact. For voltage adaptation use in three phase systems, the maximum unbalanced single phase loads between phases should not exceed 25%.

Vacuum impregnation with dielectric varnish high binding power with special properties that protect windings and magnetic core from dust and humidity.

Type of connection:

- From 1 to 25 kVA: connection with terminal blocks.
- From 31 to 80 kVA: connection with screws for flat terminals.
- From 100 to 1000 kVA: connection with flat busbars.

Technical Characteristics

Power rating	1 ÷ 1000 kVA
Input voltage	400 V
Output voltage	230 V + N (Series TDS) 400 V + N (Series TTS)
Vector group	Yyn0
Frequency	50/60 Hz
Ambient temp	40 °C
Insulation class	F (155 °C) up to TTS0125 H (180 °C) from TTS0160
Protection degree	IP-00
Safety class	Class I 
Test voltage	3 kV

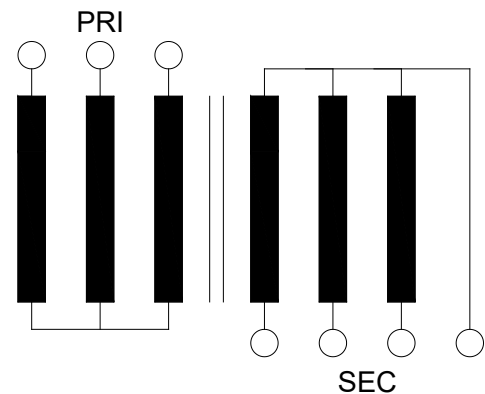
Standard



Power rating ≤ 40 kVA:
IEC/UNE-EN 61558-1

Power rating > 40 kVA:
IEC/UNE-EN 60076-11

Electrical diagram



SERIES TDS Y TTS

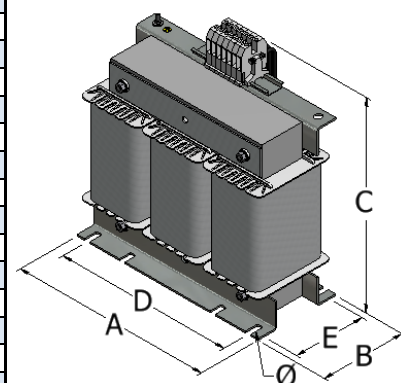
- For general use, select the power according to the load and power factor:

$$kW = \sqrt{3} \times V \times I / 1000$$

$$kVA = kW / \cos \varphi$$

- For loads with high inrush current or harmonics, consult "Rating selection guide" at the end of catalogue.

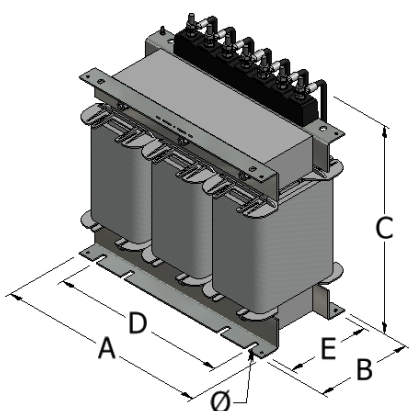
Rating kVA	Reference		Dimensions mm						Weight kg	Type
	400/230V	400/400V	A	B*1	C	D	E	Ø		
1	TDS001	TTS001	240	165	260	200	95	7	13	I
2	TDS002	TTS002	240	190	265	200	120	7	20	I
3	TDS003	TTS003	300	180	310	200	100	11	25	I
4	TDS004	TTS004	300	190	320	200	110	11	29	I
5	TDS005	TTS005	300	200	320	200	120	11	34	I
6	TDS006	TTS006	300	220	320	200	140	11	42	I
8	TDS008	TTS008	360	205	375	320	125	11	49	I
10	TDS010	TTS010	360	225	380	320	145	11	60	I
12	TDS012	TTS012	420	230	430	350	140	11	76	I
16	TDS016	TTS016	420	250	435	350	160	11	90	I
20	TDS020	TTS020	480	240	490	400	155	11	107	I
25	TDS025	TTS025	480	260	490	400	175	11	128	I
31	TDS031	TTS031	655	325	595	400	220	13	178	II
40	TDS040	TTS040	655	345	595	400	240	13	213	II
50	TDS050	TTS050	655	375	595	400	270	13	262	II
63	TDS063	TTS063	655	325	795	400	220	13	246	II
80	TDS080	TTS080	655	355	795	400	250	13	311	II
100	TDS100	TTS100	660	310	875	480	265	13	400	III
125	TDS125	TTS125	660	380	875	480	335	13	568	III
160	TDS160	TTS160	720	390	940	480	340	13	667	III
200	TDS200	TTS200	720	420	940	480	370	13	764	III
250	TDS250	TTS250	780	450	1035	660	395	16	923	III
315	TDS315	TTS315	840	575	1000	660	420	16	1142	IV
400	TDS400	TTS400	840	615	1000	660	460	16	1307	IV
500	TDS500	TTS500	900	605	1100	660	465	16	1494	IV
630	TDS630	TTS630	900	650	1110	660	505	16	1705	IV
800	TDS800	TTS800	960	690	1170	660	550	16	2106	IV
1000	TDS1000	TTS1000	960	760	1170	660	610	16	2454	IV



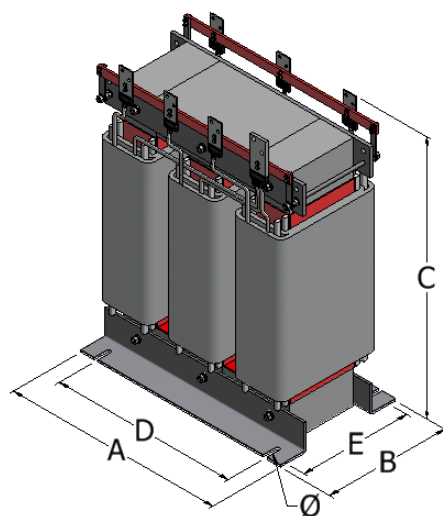
Type I

* Other features, power, voltage, etc., on request.

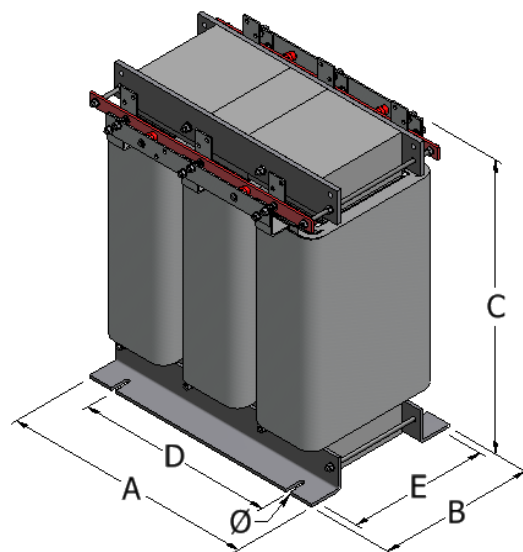
* Torytrans reserves the right to modify the information in any time and without prior notice.



Type II



Type III



Type IV